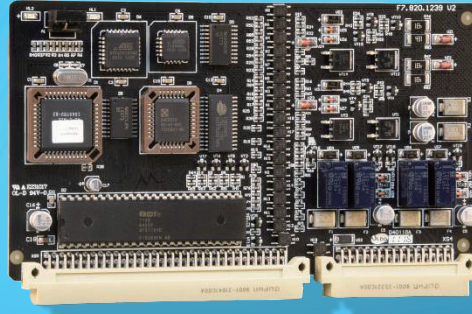


LCIFP8 Loop Card



Description

System expansion card for GST-IFP8 panel, adds two additional loops.

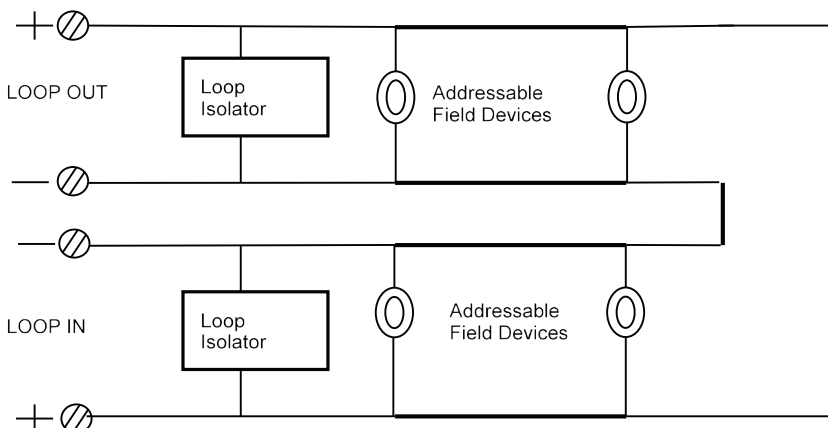
Order Information

Part No.	LCIFP8
Device Name	Loop Card
Product No.	20101304

Technical Specification

- Compatible Panel: GST-IFP8 panel
- Operation voltage: 24VDC
- Operation current: 600mA
- Capacity: 242 addresses per loop, 2 loops
- Loop Connection: Class A
- Cable Requirement: Minimum 1.0mm² Fire Cable
- WEEE & RoHS compliant
- Installation: Insert into typical slot of GST-IFP8

Typical Connection



IMPORTANT: This publication is a generic version in which product information is shown for informational purposes only and does not constitute a specific commitment or guarantee. We are constantly pursuing the improvement of product technology to improve product performance, for which we reserve the right to adjust the configuration and technical information of the related products without notice. In addition, the description of system performance in this publication applies only to the usual situation. As a result, there may be a variety of unpredictable special circumstances in the real world, so the realization of the relevant product performance will depend on the professional investigation and analysis and the design plan. Please contact us and we will be happy to provide you with professional advice.